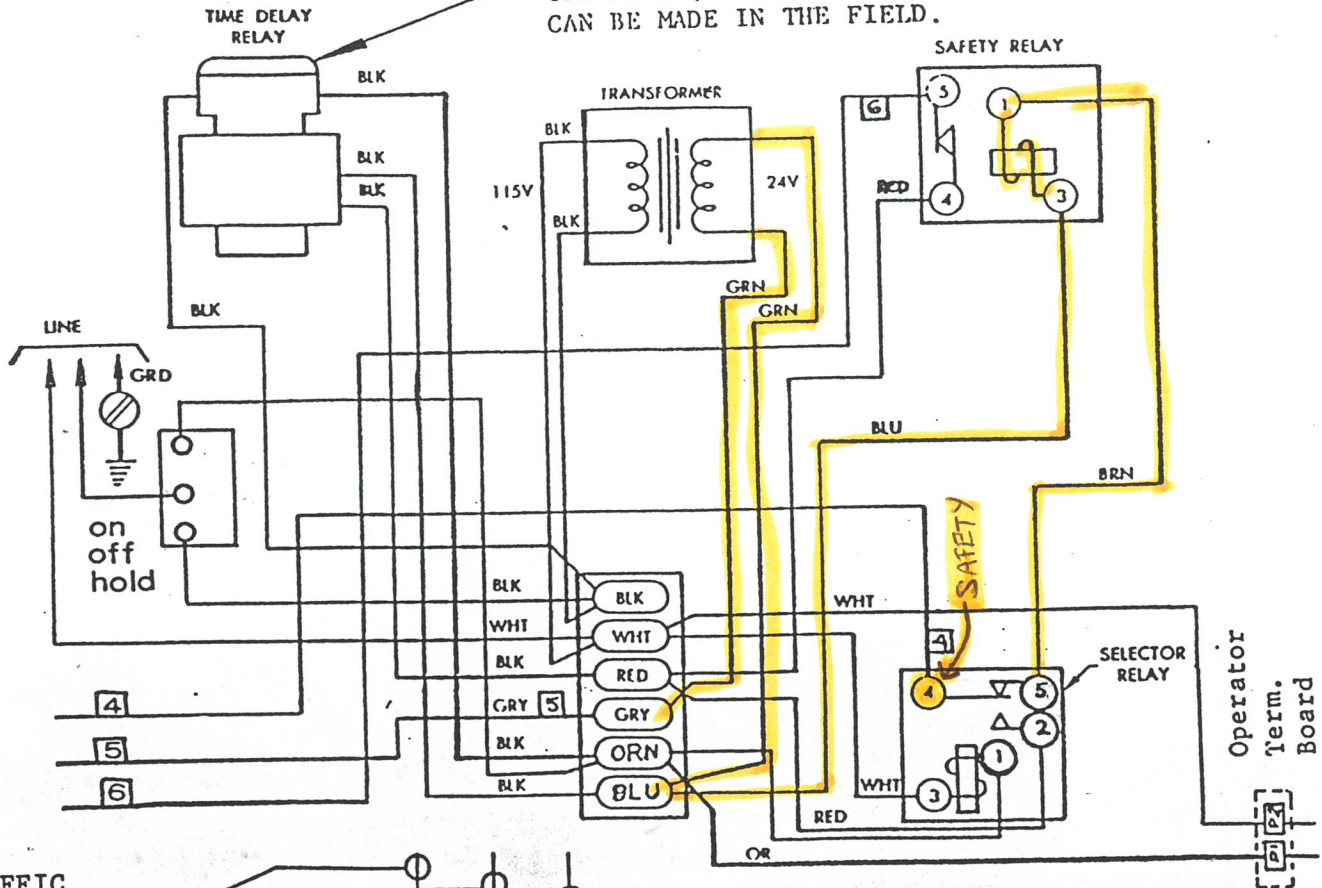


1st Question - Does door work on "HOLD OPEN" IF so, operator is o.k.

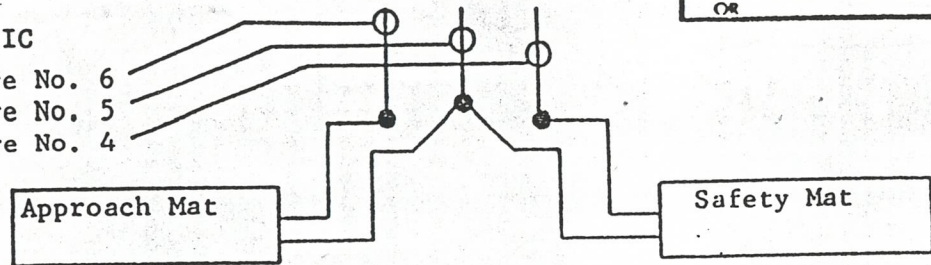
TM-8

LEFT HAND OPERATOR SHOWN (A-2030-L) INVERT MERCURY RELAY FOR RIGHT HAND OPERATOR (A-2030-R). THIS CHANGE CAN BE MADE IN THE FIELD.



ONE-WAY TRAFFIC

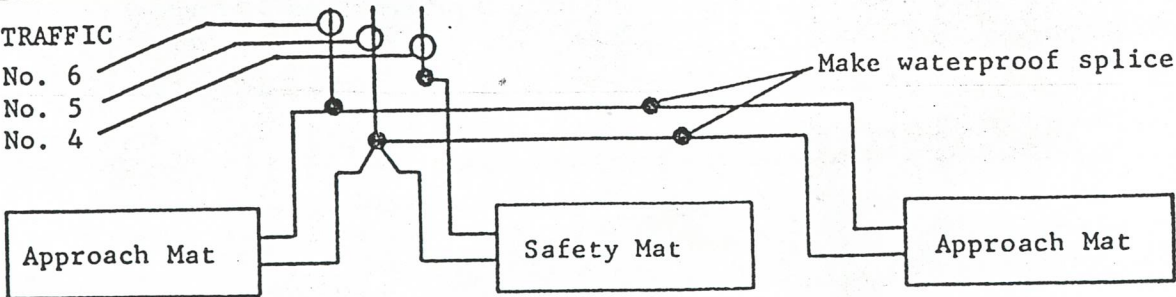
- Wire No. 6
- Wire No. 5
- Wire No. 4



TWO-WAY TRAFFIC

- Wire No. 6
- Wire No. 5
- Wire No. 4

Make waterproof splice



ONE-WAY TRAFFIC DOUBLE MATS

- Wire No. 6
- Wire No. 5
- Wire No. 4

