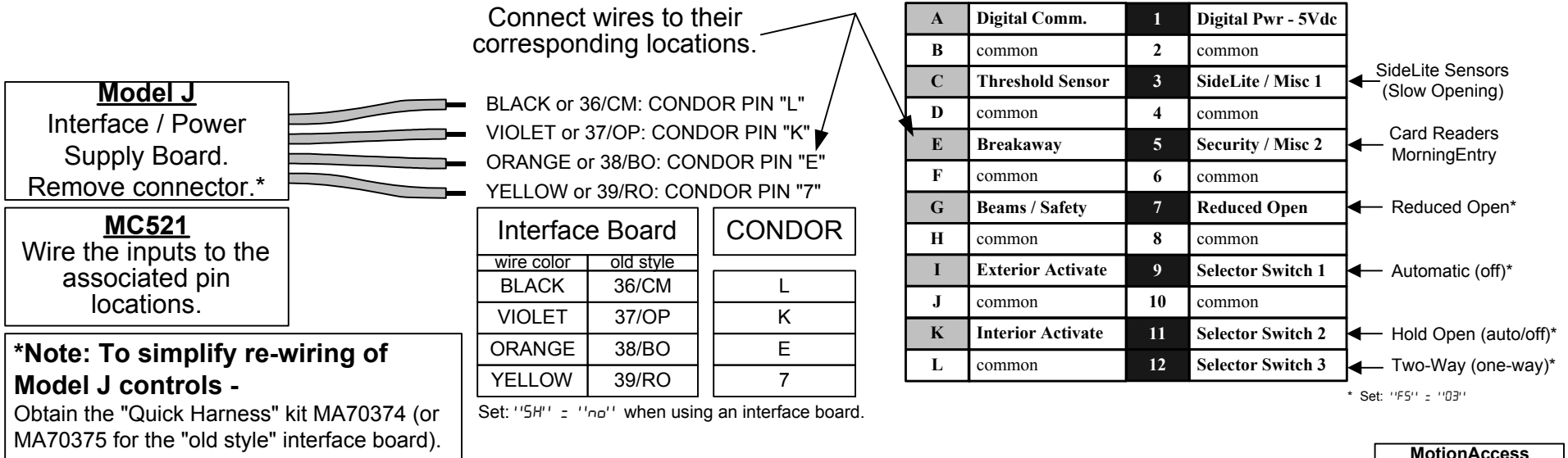




STANLEY DURAGLIDE "EXISTING HARNESS" WIRING

Eliminates existing controller connectors.

MotionAccess, LLC
775 Nicholas Blvd.
Elk Grove Village, IL 60007
toll free: 866-357-8832
847-357-8832, fax: 847-357-8834
www.MotionAccess.com



6 Position Switch Set: "F5" = "03"	
wire color	PIN
GREEN	7
YELLOW	8
ORANGE	10
RED	12
BROWN	9
BLACK	11

Auto/Off/Hold Switch Set: "F5" = "03"	
wire color	PIN
BROWN	9
ORANGE	10
YELLOW	11

1-Way/2-Way Switch Set: "F5" = "03"	
wire color	PIN
BLUE	8
BLUE	12

Reduced Open Switch Set: "F5" = "no" or "03"	
wire color	PIN
VIOLET	6
VIOLET	7

Jamb Switch Logic, set F5 = 03			
	pin 9	pin 11	pin 12
Off	open contact	open contact	either
Two Way	closed contact	open contact	closed contact
Hold Open	either	closed contact	either
One Way	closed contact	open contact	open contact

MotionAccess Universal 4&3 Function Key Switch		
switch wire	terminal / pin	
1	red	12
2	orange	9
3	white	8
4	green	11
5	blue	not used / cut ends
6	brown	not used / cut ends
7	yellow	not used / cut ends
8	black	10
set F5 = 23 for 3 function set F5 = 24 for 4 function		