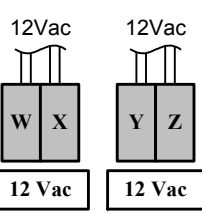
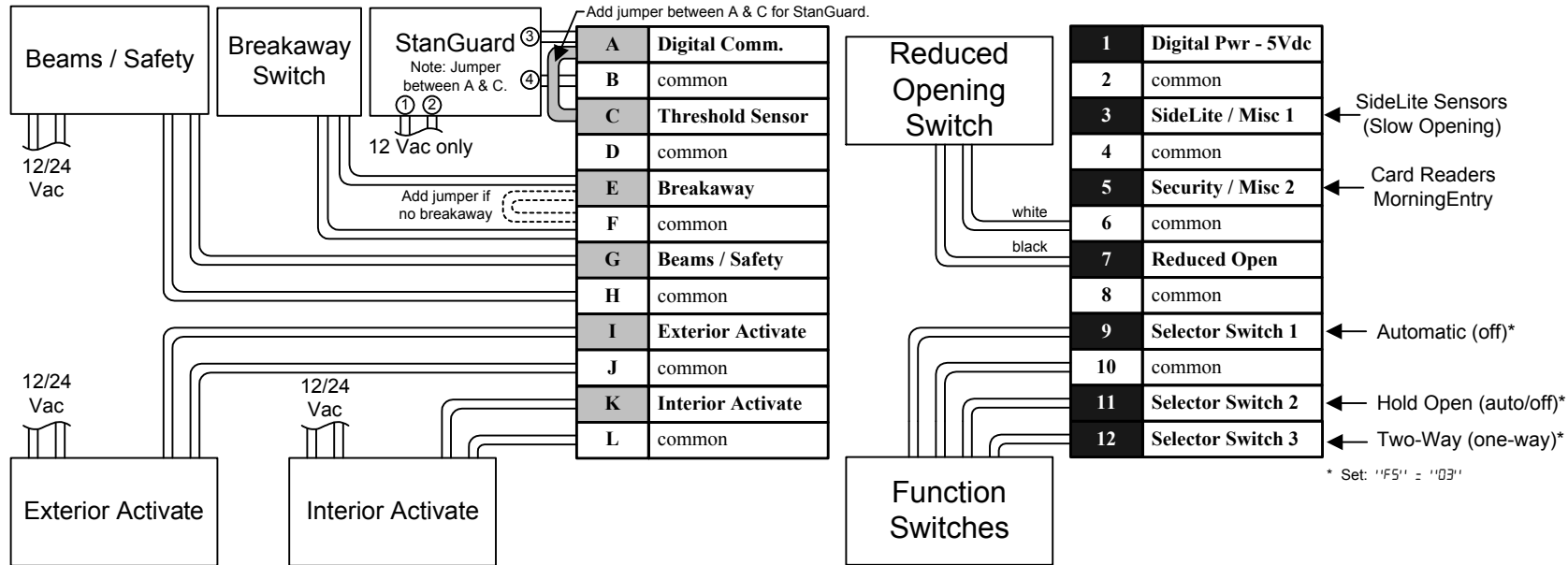




STANLEY MODEL-J & MC521 RE-WIRING

Eliminates the wiring to the terminal strip at the center of the header.

MotionAccess, LLC
775 Nicholas Blvd.
Elk Grove Village, IL 60007
toll free: 866-357-8832
847-357-8832, fax: 847-357-8834
www.MotionAccess.com



StanGuard

StanGuard Wiring	
StanGuard	Condor
1	X
2	W
3	C & A
4	B

Control / Function Switches

6 Position Switch Set: 'F5' = '03'	
wire color*	PIN
GREEN	7
YELLOW	8 common
ORANGE	10 common
RED	12
BROWN	9
BLACK	11

Auto / Off / Hold Switch Set: 'F5' = '03'	
wire color**	PIN
BROWN	9
ORANGE	10 common
YELLOW	11

** These wire colors may not match. The ORANGE wire (#10) should be wired to the center post of the switch.

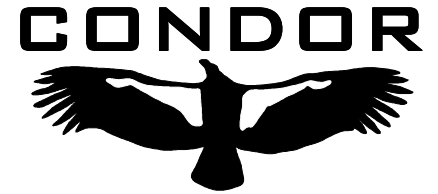
1-Way / 2-Way Switch Set: 'F5' = '03'	
wire color*	PIN
BLUE	8 common
BLUE	12

Reduced Open Switch Set: 'F5' = "no" or "03"	
wire color*	PIN
VIOLET	6 common
VIOLET	7

* These wire colors may not match.

	Jamb Switch Logic, set F5 = 03		
	pin 9	pin 11	pin 12
Off	open contact	open contact	either
Two Way	closed contact	open contact	closed contact
Hold Open	either	closed contact	either
One Way	closed contact	open contact	open contact

MotionAccess Universal 4&3 Function Key Switch		
switch wire	terminal / pin	
1	red	12
2	orange	9
3	white	8
4	green	11
5	blue	not used / cut ends
6	brown	not used / cut ends
7	yellow	not used / cut ends
8	black	10
set F5 = 23 for 3 function		
set F5 = 24 for 4 function		

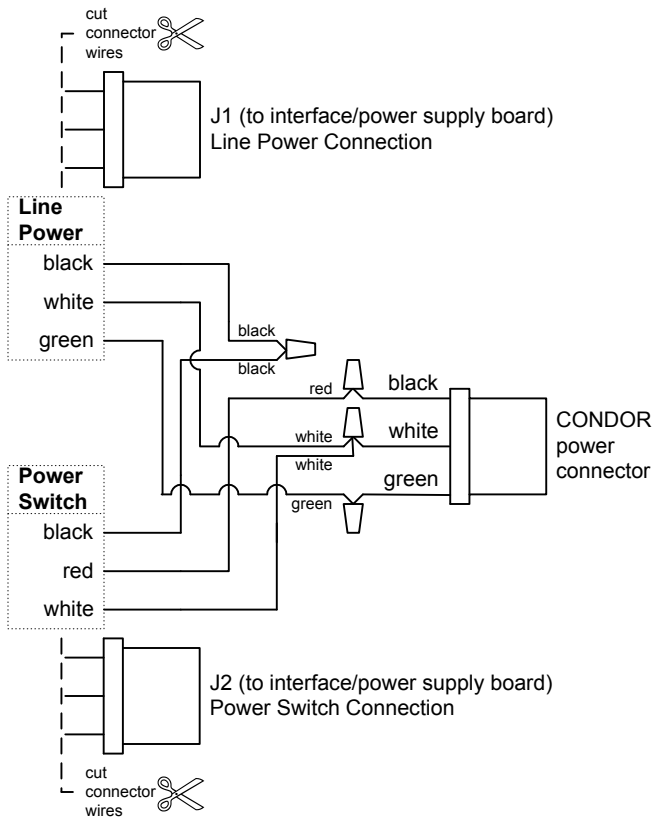


MotionAccess, LLC
 775 Nicholas Blvd.
 Elk Grove Village, IL 60007
 toll free: 866-357-8832
 847-357-8832, fax: 847-357-8834
 www.MotionAccess.com

STANLEY MODEL-J & MC521 Power Connection

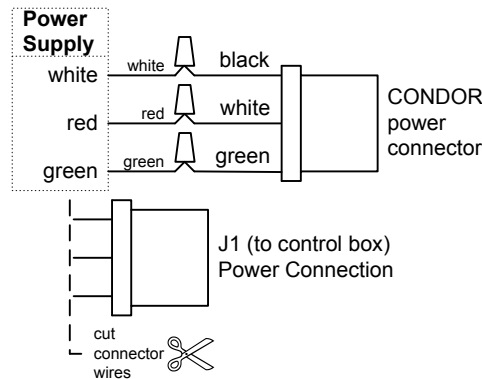
Model J

NOT using the Interface/Pwr Supply Board

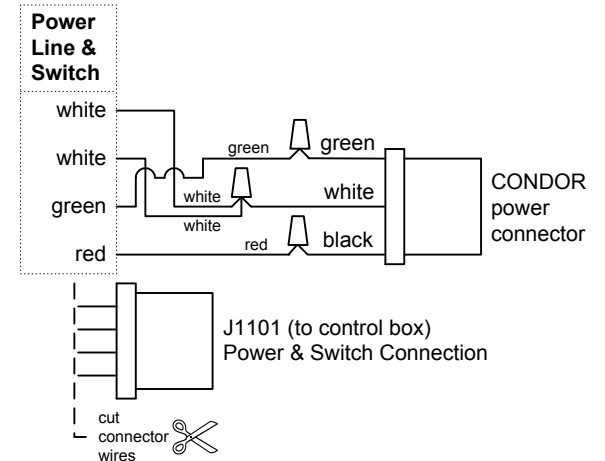


Model J & Interface/Pwr Supply Board

Use with the Interface/Pwr Supply Board



MC521



STANLEY ELECTRIC LOCK WIRING

Old Style Electric Lock



New Style Electric Lock

