



record-USA
4324 Phil Hargett Ct.
Monroe, NC 28110
(704) 289 - 9212

SERIES 5100 AUTOMATIC SLIDING DOOR SYSTEMS ELECTRIC LOCKING

Dec'07

record-USA manufactures two standard electric lock options for the Series 5100 Sliding Doors. Both units mechanically inhibit the slide operation of the door, without negating the emergency swing “breakout” function required by most safety-to-life standards. Each is concealed within the 4-1/2” wide by 7” tall aluminum header along with the door operator.

The **Fail Secure** Electric Lock remains locked during a power failure, maintaining security when required. The **Fail Safe** lock will unlock during a power outage providing easy manual operation of the sliding door. Both units are based on the same electro-mechanical design using a continuous duty electric solenoid and extended life conical spring. A unique feature of the record-USA electric lock is that it can be easily field modified from one configuration to the other.

Both versions include a monitor switch to provide lock status to the Series 5100 microprocessor-based door control. When the control receives a request to open signal, it will immediately unlock the electric lock and when the monitor switch indicates an unlocked condition the door will begin to open. Should the control not receive a signal from the monitor switch, after a short delay, advanced software will attempt to slowly open the door and, if door motion is detected, within a few inches the door will resume a normal opening cycle.

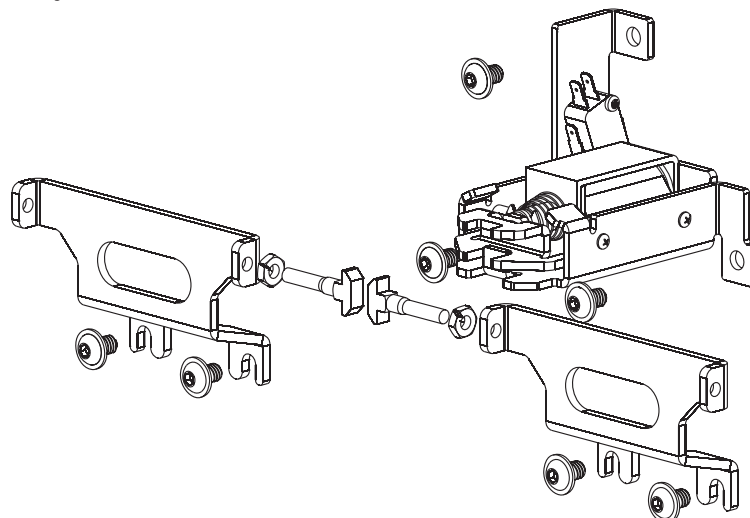
The door system has several operating configurations for electric lock operation, all field configurable -

- Locked only when unit is turned “OFF”;
- Locked only during “Night Mode” operation;
- Locked when the door is in “Exit Only” mode;
- Locked anytime the door is closed.

For high security installations, an additional monitor switch can be installed on the electric lock that can be used by remote security systems. This switch, along with an additional switch to monitor door position, can provide a “Door Closed & Locked” signal, independent of the door’s microprocessor control.

Electric lock kits are available for retro-fitting in existing installations.

Lubrication and adjustment schedules for the electric lock are similar to that of the door operator.



Typical Fail Secure
Electric Lock for a
biparting sliding door

For custom applications, the Series 5100 supports additional lock configurations, such as bistable locks and electro-magnetic locks. Please consult the factory for additional information.