

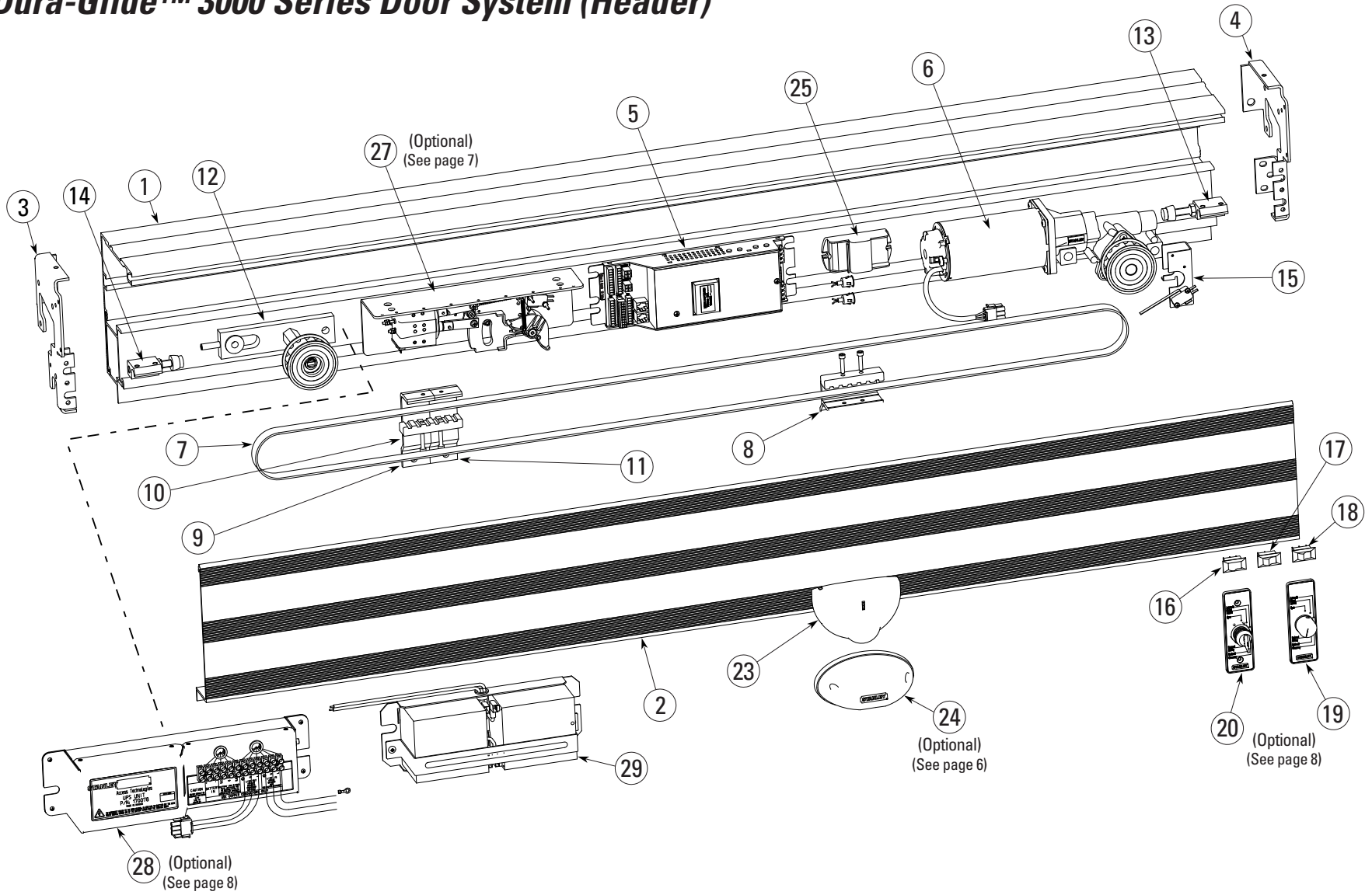
**STANLEY**<sup>®</sup>

Access Technologies



***Stanley Access Technologies Replacement Parts Book***

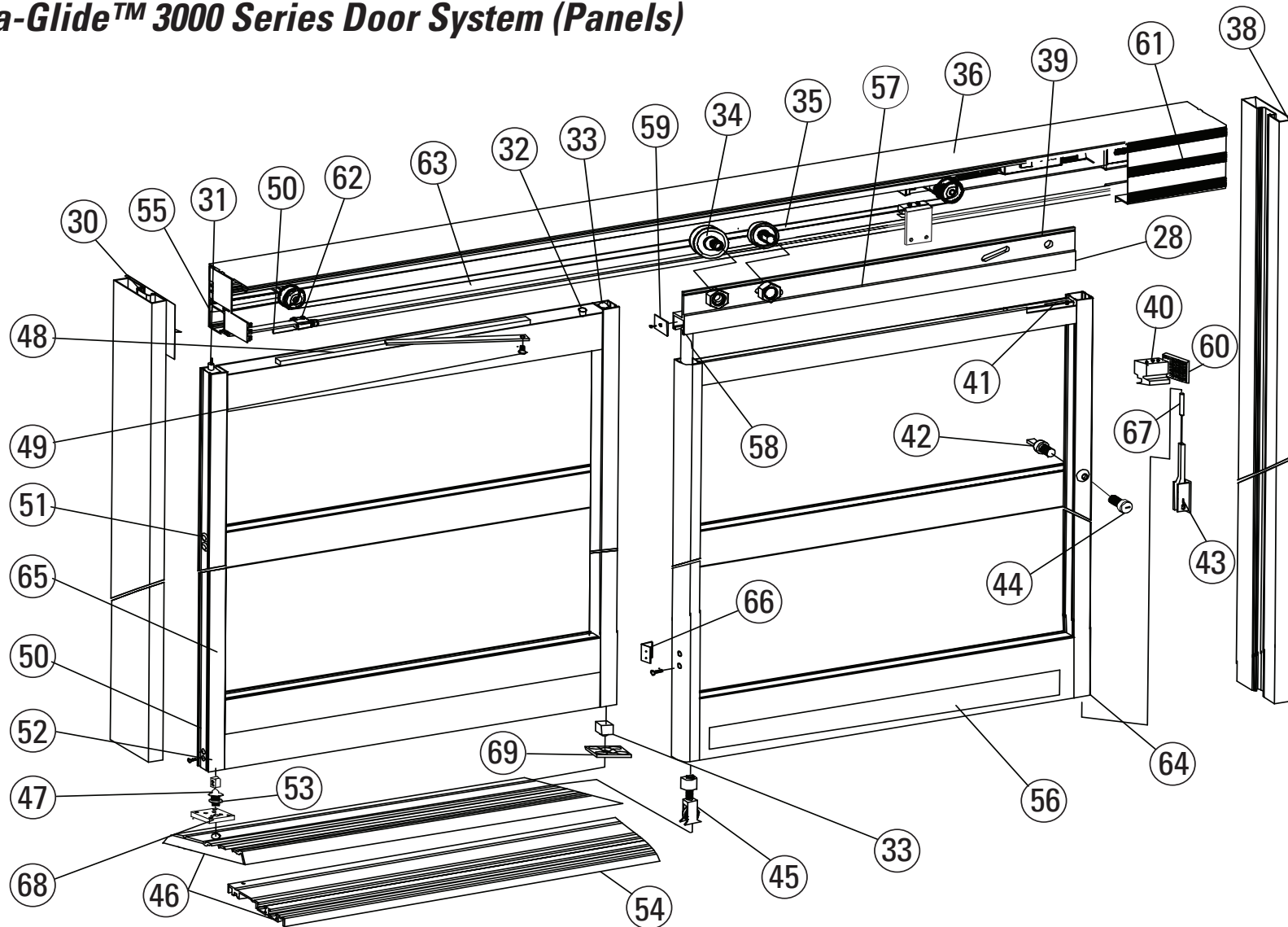
## Dura-Glide™ 3000 Series Door System (Header)



## Dura-Glide™ 3000 Series Header Replacement Parts List

REF	#PART	DESCRIPTION	OPTIONS
		* Must specify length and finish	
1	515628*	HEADER	313943
2	515686*	COVER	709183
3	185030-1	END PLATE - LEFT HAND	16 .....713080
4	185030-2	END PLATE - RIGHT HAND	17 .....713081
	516912 (CLR) 536912 (DKB)	DRESS PLATE (Must choose when using 4 1/2" jamba)	18 .....713082
5	313969	CONTROLLER MC521	19a .....313719
6	972313027	MOTOR AND GEARBOX ASSY	413550
6a	313034	GEARBOX (Only)	19b .....413960
6b	351279499	SCREW HHM 3/8-16 X 3-1/4"	20a .....313720
6c	412139	PULLEY (GEARBOX)	413584
6d	907514542	MOTOR (Only)	714119
6e	412157	HUB LOVEJOY COUPLING	20b .....313720
6f	412158	SPIDER (COUPLING)	21 .....934312965
6g	112006	ENCODER 2 CHANNEL	22 .....713869
7	711450	BELT	23 .....516669
8	411810	BELT BRACKET (SHORT)	24 .....713858
9	515073	BELT BRACKET (LONG)	713859
10	411507	BELT CALMP	25 .....515365
11	353338499	SCREW (BELT CLAMP)	313710
12	515059	IDLER WHEEL ASSY	934312871
12a	411456	IDLER WHEEL (Only)	413180
12b	351270499	SCREW HEX HD (IDLER WHEEL MNT)	515888
12c	382260499	WASHER SPRING LK (IDLER WHEEL MNT)	26 .....713899
12d	711324	BUSHING (IDLER WHEEL MNT)	713900
13	711709	BUMPER STOP ASSY - RH	714092
14	711710	BUMPER STOP ASSY - LH	27 .....313985-1
15	313943-1	KIT DOOR POSITION SWITCH DUAL	313985-2
			313985-3
			313985-4
			185040-1
			185040-2
			185040-3
			185040-4
			28 .....313959
			29 .....170072
			RETORFIT DOOR POSITION SWITCH SINGLE
			LIMIT SWITCH (DOOR POSITION SWITCH)
			SWITCH - ROCKER ONEWAY/RED OPEN
			SWITCH - ROCKER POWER W/LIGHT
			SWITCH - ROCKER AUTO/CLS/OPEN
			6 POSITION KNOB SWITCH ASSY W/ HARNESS
			6 POSITION KNOB SWITCH (Only)
			4 POSITION KNOB SWITCH W / HARNESS
			6 POSITION KEY SWITCH ASSY W/ HARNESS
			6 POSITION KEY SWITCH (Only)
			KEYS (ONLY) FOR 6 POSITION SWITCH
			4 POSITION KEY SWITCH W/ HARNESS
			STANGUARD SENSORS
			WIZARD SENSORS
			SU100 SENSOR
			STANVISION SENSOR
			CONTROLLER STANVISION
			OPTEX SINGLE SAFETY BEAM CONTROL
			OPTEX DUAL SAFETY BEAM KIT
			OPTEX ONE CHANNEL SINGLE BEAM KIT
			OPTEX RECEIVER AND TRANSMITTER
			HOLDING BEAM HOUSING
			JAMB CAMERA
			POWER SUPPLY JAMB CAMERA
			JAMB CAMERA HOUSING
			LOCK ASSY SOLENOID RH FAIL SAFE
			LOCK ASSY SOLENOID LH FAIL SAFE
			LOCK ASSY SOLENOID RH FAIL SECURE
			LOCK ASSY SOLENOID LH FAIL SECURE
			SOLENOID LOCK REBUILT PRODUCTS
			SOLENOID LOCK REBUILT PRODUCTS
			SOLENOID LOCK REBUILT PRODUCTS
			SOLENOID LOCK REBUILT PRODUCTS
			UNINTERRUPTED POWER SUPPLY (UPS)
			UPS REPLACEMENT BATTERY

## Dura-Glide™ 3000 Series Door System (Panels)





## Dura-Glide™ 3000 Series Panel Replacement Parts List

REF	#PART	DESCRIPTION	REF	#PART	DESCRIPTION
30	412860-17100	JAMB TUBE FILLER	53	380273499	NUT (BOTTOM PIVOT)
31	413829-RH OR 413828-LH	PIVOT ASSY- SO PANEL	54	972411796	FILLER STRIP (THRESHOLD)
32	711463-A	MAGNET - BREAKOUT SWITCH	55	712175	DECAL - STANLEY LOGO SMALL
33	417667	BALL DETENT	56	412638	DECAL - CAUTION AUTOMATIC SLIDING DOOR
34	972312729	HANGER WHEEL	28	713050	PILE - HANGER
35	972312462	ANTI RISE WHEEL	57	411624-300	ADHESIVE BACK WEATHERSTRIPING
36	515628	HEADER	58	157551	STILE - LH PIVOT SX
37	118483	END PLATES	59	515190	CAP - END - HANGER
38		JAMB TUBE	60	515190	CAP - END - HANGER
39	157655-1	HANGER - SX	61	515686	COVER
40	431622	DETENT - HANGER PORTION	62	711709-RH OR 711710-LH	BUMPER STOP RH OR LH
41	516699-2	DETENT - NARROW STD	63	713420	RIVNUT
42	709221- CLR OR 709647 BRZ	THUMB TURN CLEAR OR BRONZE	64	Configured	SX PANEL
43	415019	LOCK 2 - POINT	65	Configured	SO PANEL
44	706668-CLR OR 709648-BZ	CYLINDER LOCK CLEAR OR BRONZE	66	711568	SECURITY HOOK NARROW STILE-CLR
45	515625	BOTTOM FORK GUIDES		731568	SECURITY HOOK NARROW STILE-DKB
46		THRESHOLDS		713821-1	SECURITY HOOK NARROW STILE-CLR
47	708950	PIVOT - BOTTOM SO PANEL		713821-2	SECURITY HOOK NARROW STILE-DKB
48	412680	DOOR HOLDER ASSY	67		LOCK 2 - POINT ROD
49	411714	SHOULDER SCREW			
50	411624-300	ADHESIVE BACK WEATHERSTRIPING			
51	710241-CLR OR 710240- BRZ	HOLE PLUG CLEAR OR BRONZE			
52	410100-RH RH BOTTOM PIVOT SO PANEL				
	410100-LH LH BOTTOM PIVOT SO PANEL				

***Sensors and Accessories*****Sensors and Cameras**

#PART	DESCRIPTION
934312965	Stan-Guard Sensor
412117	Stan-Guard Sensor Lens Only
712246	Stan-Guard Sensor End Cap Only
713869	BEA Wizard Sensor
516669	SU-100 Sensor
413836	Rain Shield for SU-100 Sensor
313925	Stan-Vision Retrofit Kit
713858	Stan-Vision - Camera
713859	Stan-Vision - Controller
713875	Stan-Vision - Dura-Glide Interface Cables
713860	Stan-Vision - RJ45 Cable
313928	Jamb Camera Kit
714092	Jamb Camera - Housing only
713901	Jamb Camera - Cable only
713899	Jamb Camera - Camera only
713900	Jamb Camera - Power Supply only

**Specialty Tools**

#PART	DESCRIPTION
713861	Palm® Interface Kit
314103	Palm Cable (yellow)
314096	Bluetooth Programming Module

**Safety Beams and Accessories**

#PART	DESCRIPTION
934312871	Doorway Holding Beams - Single
313710	Doorway Holding Beams - Dual
515365	Controller for Doorway Holding Beam
413180	Receiver and Transmitter for Doorway Holding Beam
711949	Nut for Doorway Holding Beam
515888	Holding Beam Housing
713117	Telco transmitter DWHB
713863	Telco Transmitter
714070	Telco Receiver DWHB
714063	Teco DWHB Receiver-NPN Round
313920	Telco Power Pack Kit

**Controls**

#PART	DESCRIPTION
313050	MC-521 Retrofit Kit

## Sensors and Accessories

### Dura-Glide – GENERAL

#PART	DESCRIPTION	Application
516819-4	Switch Assembly .....	Bi-Part (All)
516819-3	Magnet.....	Bi-Part (All)
714083-1	Magnet with Screws .....	DG5300 SS&BP
714083-2	Contact with Screws .....	DG5300 SS&BP
711463-A	Magnet - Breakout Switch .....	
711463-B	Switch - Magnetic .....	

#### Retrofit Kits

313946	Alarm Contacts for SS (Qty Req'd - 1) .....	DG2000/5200
313946	Alarm Contacts for SS (Qty Req'd - 2) .....	DG3000
313946	Alarm Contacts for SS (Qty Req'd - 1) .....	DG5300
313992	Alarm Contacts Kit Hardware (Qty Req'd 1).....	All

#### Delayed Egress

#PART	DESCRIPTION
516913.....	Terminal Block and Relay Assy (delayed egress)
415109.....	Buzzer and Bracket Assy (delayed egress)
415119.....	Power Key Switch Assy (delayed egress)
516907.....	4-Contact Block Assy (delayed egress)
516908.....	4-Contact Plate Assy (delayed egress)
516909.....	2-Contact Block Assembly (delayed egress)
516910.....	2-Contact Plate Assy (delayed egress)
714082.....	Sheer Magnet Locks (delayed egress)
413584.....	Reset Switch (delayed egress)
185060-1.....	Push Bar Cartidge with Switch (delayed egress) Clr
185060-2.....	Push Bar Cartidge with Switch (delayed egress)
185060-3.....	Push Bar Cartidge with Switch (delayed egress) Dkb
185060-4.....	Push Bar Cartidge with Switch (delayed egress) Dkb
314063.....	DE-MC-521 Replacement Kit (delayed egress)

#PART	DESCRIPTION
112006.....	encoder 2 channel
112005.....	encoder 4 channel
312717.....	motor encoder retrofit kit
713080.....	Switch Rocker one way / red open
713081.....	Switch rocker power / with light
713082.....	Switch Rocker auto/close/open
313720.....	Key Switch Assembly
413584.....	Key Switch
714119.....	Keys for Key Switch
313719.....	Rotary Switch Assembly
413550.....	Rotary Switch
413549.....	Harness - switch to I/O board
413733-2.....	Harness - power-D/G-rotary keyswitch 180"
313943.....	Close Position Switch - Single
313943-1.....	Close Position Switch - Dual
312988.....	hardware package closed position switch
412162.....	Cam (closed position switch)
313959.....	Battery Back-Up (UPS)
972313026.....	Fly-Open Box
710739-12000.....	Sweeps 1"
413769-18000.....	Sweep Holder
713241-13200.....	Sweeps 1 1/4"
712750.....	3/8" Belt
313506.....	3/8" motor ONLY
313444.....	3/8" gear box

Note: All part numbers are based on Clear Anodized Finish unless noted.

## Access Control – Dura-Glide 3000/5300

#PART	DESCRIPTION
109043	Push bar Assembly - Clear- up to 36" Panels
109045	Push bar Assembly - Clear-over 36" Panels
109047	Push bar Assembly - Dark Bronze-up to 36" Panels
109049	Push bar Assembly - Dark Bronze-over 36" Panels
411792	Active End Cap
515266	Vertical Actuator Rod Assembly
711488	Actuator Assembly
515261	Block Strike
711789	Strike Post
n/a	Recessed Panic Hardware (requires new panel)
516699-2	Detent, Door Portion, Narrow Stile, A/C
516699-3	Detent, Door Portion, Medium Stile, A/C RH
516699-4	Detent, Door Portion, Medium Stile, A/C LH
411709	90 deg. Holder Arm Sidelight 15" long
412680	90 deg holder arm sidelight 8" long
411714	Pivot holder arm
411976	Pivot holder arm
412621	Spacer holder arm
314051	Damper kit
313985-1	Solenoid Lock RH Fail Safe
313985-2	Solenoid Lock LH Fail Safe
313985-3	Solenoid Lock RH Fail Secure
313985-4	Solenoid Lock RH Fail Secure
412397-3	Spring - ext - lock mech - train dr
412896-L	Spring torsion - solenoid lock left hand
412896-R	spring torsion - solenoid lock right hand
515694	Pawl Solenoid Lock Duraglide
515695	Latch Solenoid Lock Duraglide
516030	Cam Solenoid Lock Duraglide

### Retrofit Kits - Includes Rails, Stiles, Panic and Misc. hardware ....Type of Solenoid

313536	Dura-Glide 3000 RH Single Slide (clear) .....RH lock req'd
333536	Dura-Glide 3000 RH Single Slide (DKB).....RH lock req'd
313537	Dura-Glide 3000 LH Single Slide (clear).....LH lock req'd
333537	Dura-Glide 3000 LH Single Slide (DKB) .....LH lock req'd
313538	Dura-Glide 3000 Bi-Part (clear) .....RH lock req'd
333538	Dura-Glide 3000 Bi-Part (DKB) .....RH lock req'd

## Access Control – Dura-Glide 2000/5200

#PART	DESCRIPTION
515282	Panic Paddle RH (Clear)
515283	Panic Paddle RH (Dark Bronze)
515285	Panic Paddle LH (Clear)
515286	Panic Paddle LH (Dark Bronze)
515288	Acuator 42 1/2"
515289	Acuator 60 3/4"
515290	Actuator 70 3/4"
411850	Bolt Guide
515233	Strike Assembly (RH/LH)
n/a	Recessed Panic Hardware (requires new panel)
516699-2	Detent, Door Portion, Narrow Stile, A/C
516699-3	Detent, Door Portion, Medium Stile, A/C RH
516699-4	Detent, Door Portion, Medium Stile, A/C LH
411709	90 deg. Holder Arm Sidelight 15" long
412680	90 deg holder arm sidelight 8" long
411714	Pivot holder arm
411976	Pivot holder arm
412621	Spacer holder arm
314051	Damper kit
313985-1	Solenoid Lock RH Fail Safe
313985-2	Solenoid Lock LH Fail Safe
313985-3	Solenoid Lock RH Fail Secure
313985-4	Solenoid Lock RH Fail Secure
412397-3	Spring - ext - lock mech - train dr
412896-L	Spring torsion - solenoid lock left hand
412896-R	spring torsion - solenoid lock right hand
515694	Pawl Solenoid Lock Duraglide
515695	Latch Solenoid Lock Duraglide
516030	Cam Solenoid Lock Duraglide

### Retrofit Kits - Includes Rails, Stiles, Panic and Misc. hardware ....Type of Solenoid

313536	Dura-Glide 3000 RH Single Slide (clear) .....RH lock req'd
333536	Dura-Glide 3000 RH Single Slide (DKB).....RH lock req'd
313537	Dura-Glide 3000 LH Single Slide (clear).....LH lock req'd
333537	Dura-Glide 3000 LH Single Slide (DKB) .....LH lock req'd
313538	Dura-Glide 3000 Bi-Part (clear) .....RH lock req'd
333538	Dura-Glide 3000 Bi-Part (DKB) .....RH lock req'd





Access Technologies

**Stanley Access Technologies**  
65 Scott Swamp Road – Farmington, CT 06032  
[www.stanleyaccess.com](http://www.stanleyaccess.com) • 1-800-7ACCESS